

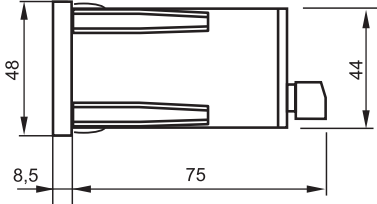
DIMENSIONS AND WIRING DIAGRAM / INSTALLATION



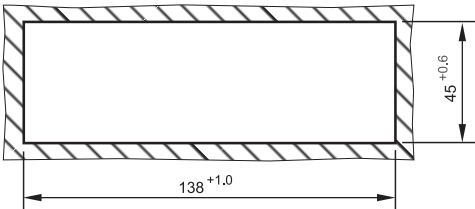
The **S&L Monitor** is designed to monitor open side boxes (shutters), roof boxes, ladder and display the status of different kind of emergency and other lights on the special vehicle. Key advantage: Water and foam remote display can be integrated in the panel. The state of monitored devices will be displayed as color-coded LED warning lights.

Monitoring is provided through 18 digital inputs. Digital inputs are connected via uP to 37 LED lights. Digital inputs can be connected to GND or +24V signal, to detect the status of connected lamps, shutters or other switches. An integrated photo sensor detects the ambient light and automatically adjusts the LED intensity for day or night operation.

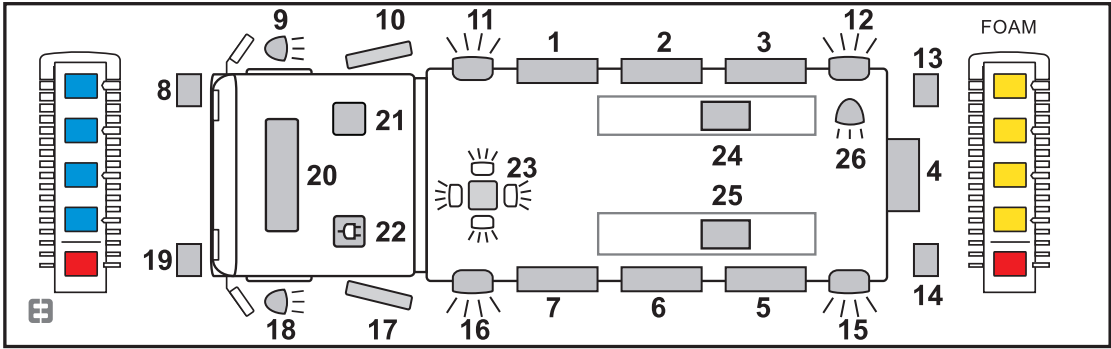
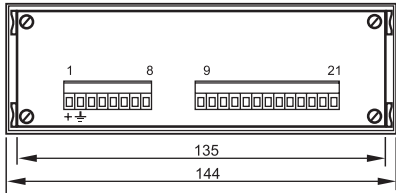
DIMENSIONS



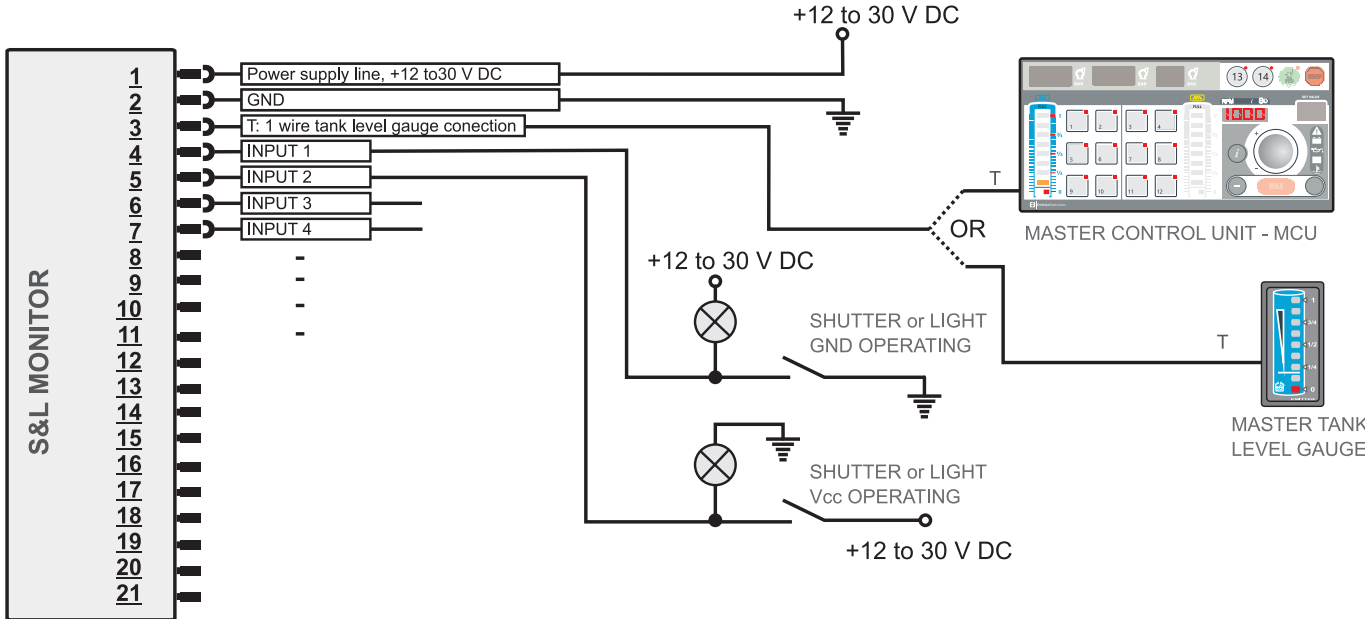
CUT OUT FOR THE CONTROL PANEL



REAR PANEL CONNECTORS



WIRING DIAGRAM / INSTALLATION



S&L MONITOR

SPECIFICATIONS AND ORDERING INFORMATION

SPECIFICATIONS

Power supply	12V ... 30V DC
Power consumption*	max. 2W
Inputs	18 digital inputs, GND or +24V
Indicators	37 color-coded LED (red, blue, white, yellow)
Electrical Connection	8 pin + 13 pin connector
Connector cross section	0,5 to 1,5 mm ² (AWG 28-16)
Enclosure - protection (IEC 529)	IP 65 front panel
Operating temperature	-25°C...+85°C
Dimensions of the indicator (IEC 61554)	144x48x68 mm
Automatically adjustable LED intensity	photo sensor
Weight	0,2 kg

ORDERING INFORMATION

Use the **RED** character from the chart below to construct a basic product code. For detailed ordering specification please request special order form for S&L MONITOR!

REMOTE TANK LEVEL DISPLAY

- : without tank level indicators
- WL: integrated water tank level indicator
- WL - FL: integrated water and foam tank level indicator

SLM — **7S** — **WL - FL**

SHUTTERS

- 10S:** 10 shutters
- 7S:** 7 shutters
- 5S:** 5 shutters
- 5SS:** 5 shutters, design with spacing between
- 3S:** 3 shutters